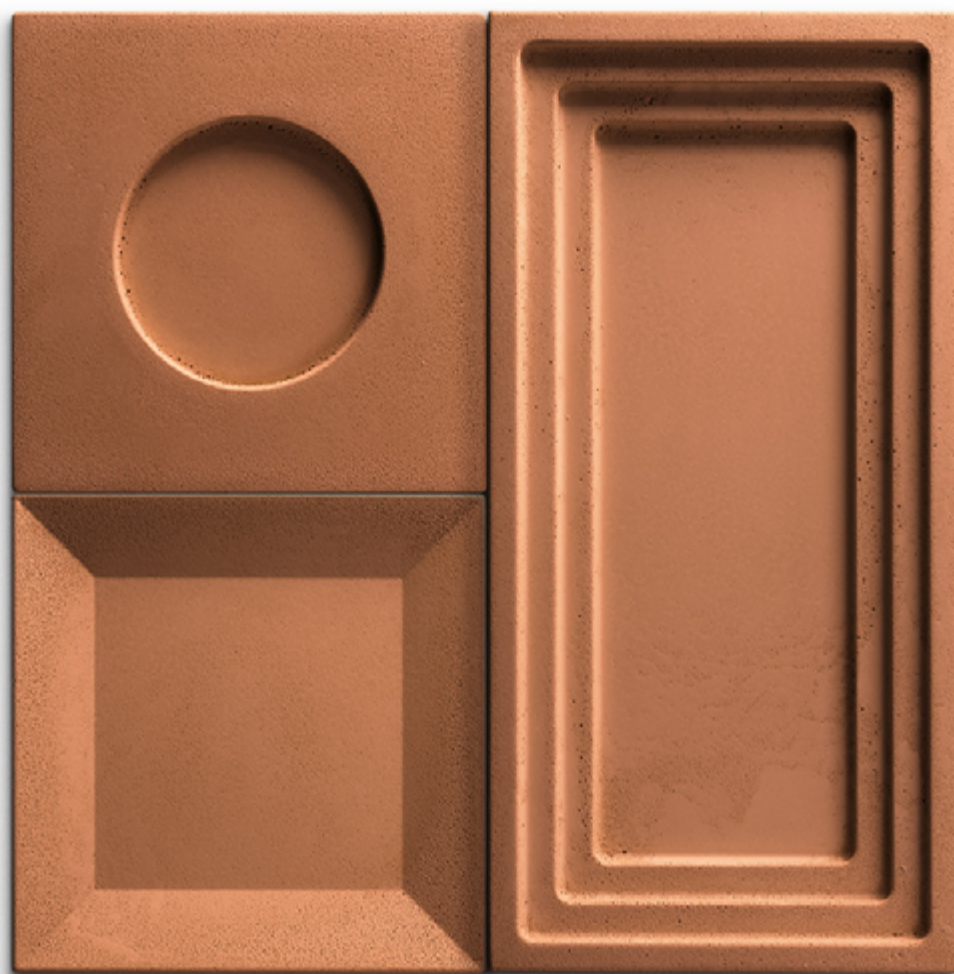


CIMENTO®



CIMENTO® FORMELLE
Product data sheet

TONDO . CANTON . QUERINI
Elisa Ossino

Rev:23/07/2024

Description

CIMENTO® FORMELLE slabs are a **CIMENTO®** product designed to allow the covering of existing structures. The slabs are composed of a cement conglomerate to which a fiberglass net is added. **CIMENTO® FORMELLE** is an incombustible product.

Destination of use

The **CIMENTO® FORMELLE** slab for the covering vertical surfaces is intended for an exclusive use in internal ambients; to preserve the aesthetic and functional conditions of the **CIMENTO®** surface for as long as possible, it is advisable to refer to the methods and precautions of use as indicated on the maintenance and installation manual for **CIMENTO® FORMELLE**.

Notes

The installation must be carried out by personnel specialized, and surfaces anchoring the panels to the underlying structure with the use of specific adhesives and following the instructions specifically indicated in the respective technical data sheets.

Cleaning e Maintenance

Do not use chemicals, abrasive cleaners, solvents, and polishing products. The **CIMENTO®** surface is treated with a protective system that prevents the penetration of dirt, be it dry, wet, or greasy, and facilitates cleaning operations.

However, the characteristic coexistence of smooth and porous parts requires some simple precautions during ordinary cleaning. It is important to prevent dirt and deposits from being moved and accumulating in the porous portions, especially in the case of moist or greasy substances.

For routine maintenance we recommend the following operations, to be carried out in the specified:

1. Preliminarily remove all dry deposits with a vacuum cleaner equipped with a soft bristle brush, to remove dust and solid residues from both smooth and porous areas of the surface;
2. Rub the surface with a dry microfibre cloth or moistened with water, then dry, if necessary, with an additional clean and dry microfibre cloth to avoid leaving marks;
3. If the surface comes into contact with staining substances, act on the affected area with a cloth moistened with ammonia solutions or similar products (avoiding degreasers that require abundant rinsing) then dry with a clean, dry cloth. Do not use aggressive acid-based, solvent-based, or abrasive agents.

Any variations with respect to the sample are not to be considered defects but as a characteristic of the product and its manual processing which can cause variations in tone. Therefore, Sai Industry srl does not assume any responsibility in case of variations; they are not to be considered defects and are not covered by warranty, in particular for products purchased at different times.

For detailed information on installation, design and maintenance, please refer to the appropriate manuals. Whenever needed contact the **CIMENTO®** sales office.

Storage

Protect edges and corners from knocks with special protections to avoid possible chipping.

Protect the sheet from contacts with staining substances, blades, and sharp objects, or scratches that could damage the **CIMENTO®** finish by storing it in the appropriate packaging.

Store the slabs on a flat, levelled, and dry surface, ensuring a homogeneous support over the entire surface.

It is possible to stack packages of the same size. Do not overlap the packaging with other materials that may damage the packaging or the sheets.

Characteristics of the CIMENTO® Tiles

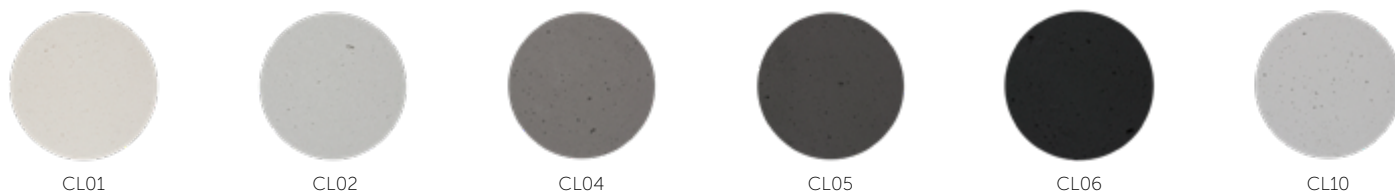
The **CIMENTO® FORMELLE** are available in three different models or, upon customer request, they can be made according to the project specifications.

dimensioni	peso	spessore max
Tondo	1,12 kg	20 mm
Canton	0.8 kg	20 mm
Querini	2,16kg	30 mm

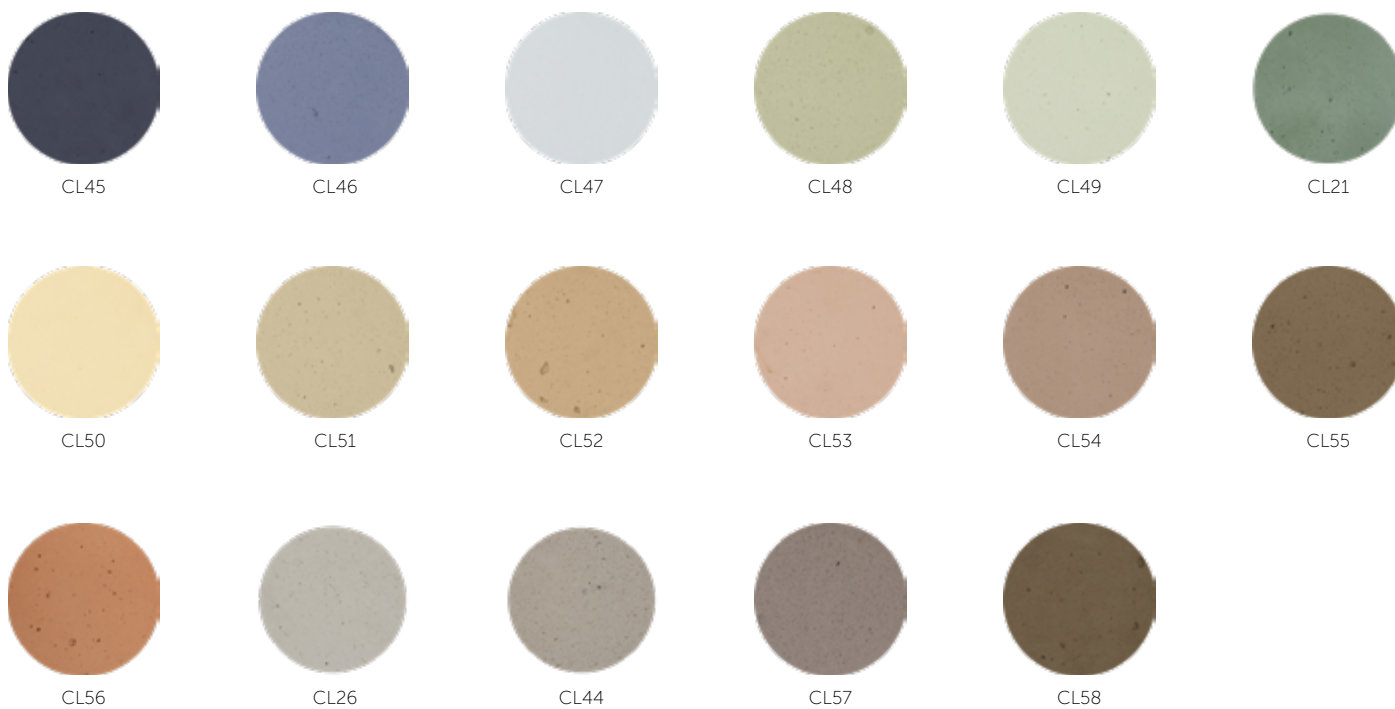
Finishes and colors available

CIMENTO® FORMELLE are available in a wide range of standard colors obtained with the use of natural oxide-based pigments, thanks to which a high color stability to light is achieved.

COLORI NEUTRI / NEUTRAL COLORS

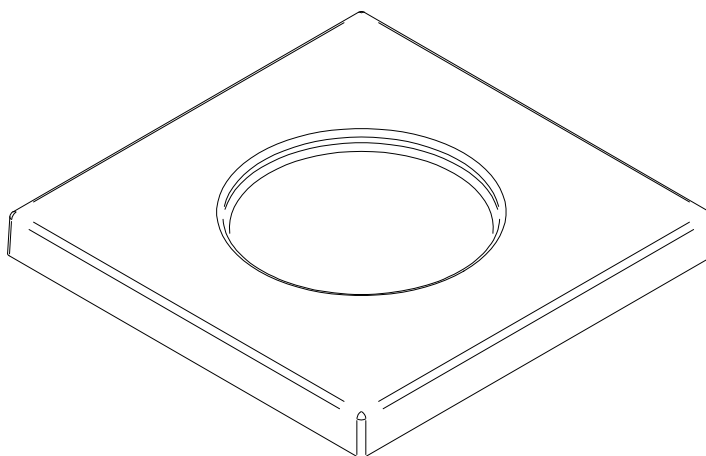
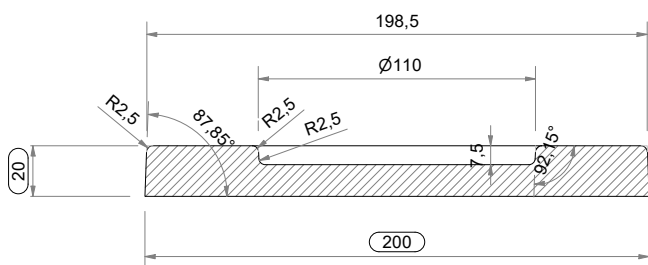
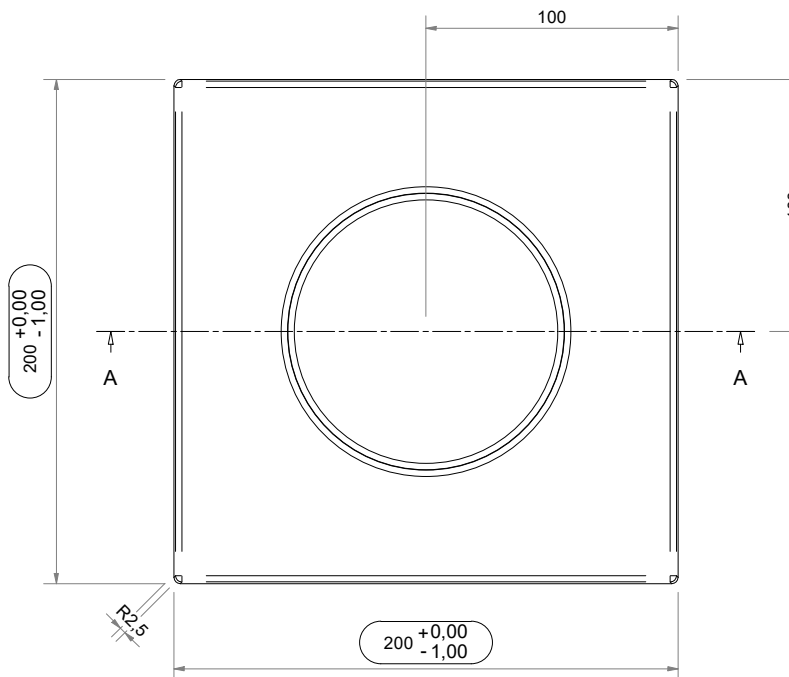


CARTELLA COLORI 2023 / COLOR CHART 2023

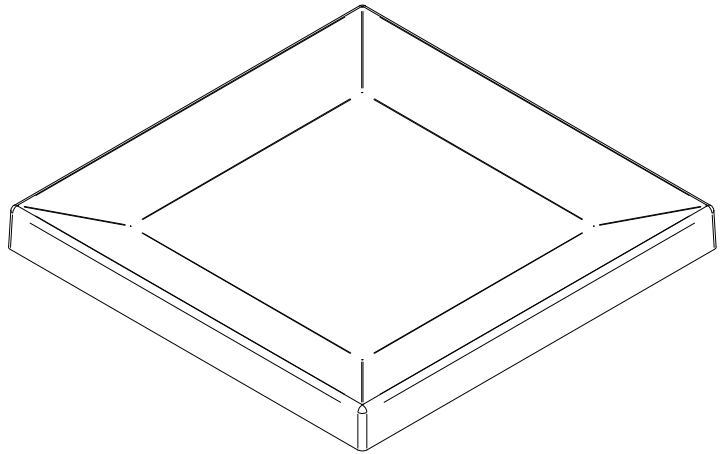
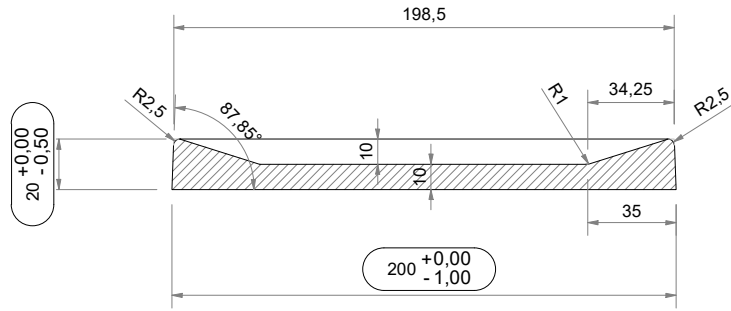
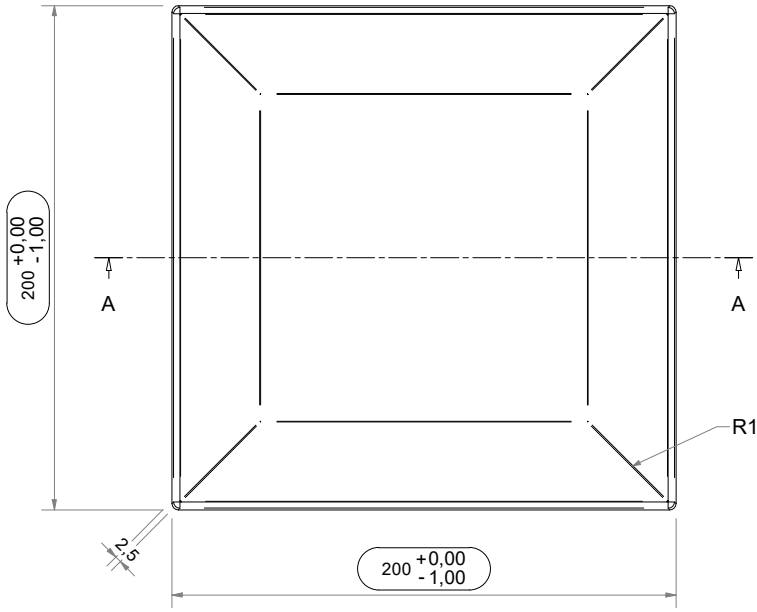


Certifications

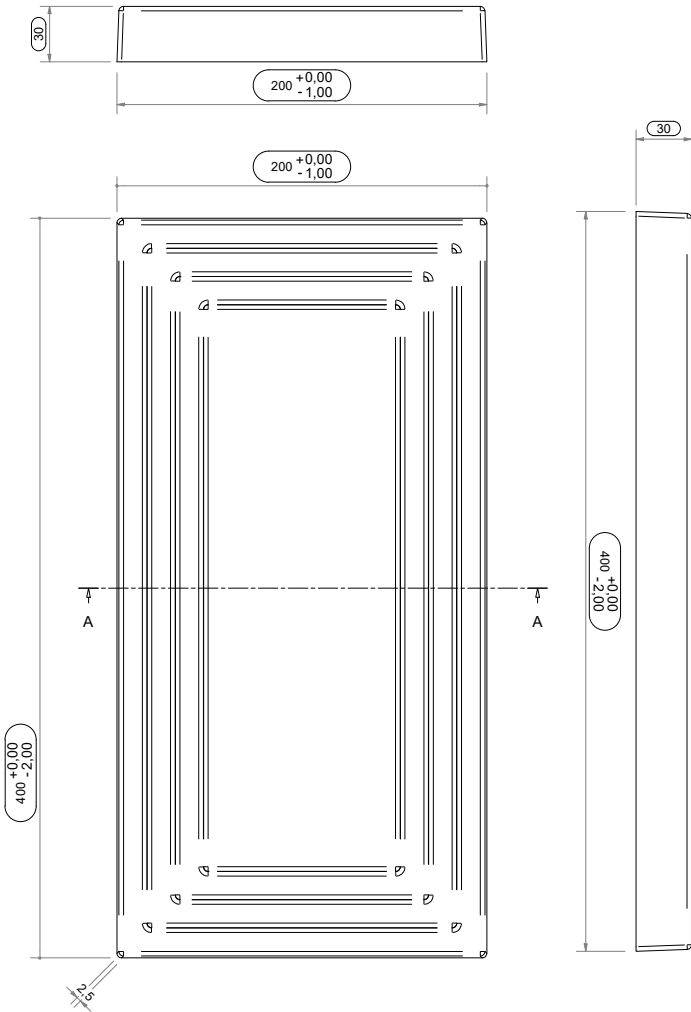
CIMENTO® RIO TERÀ SLAB WITH FIBERGLASS SUPPORT				
TECHNICAL FEATURES	REGULATION	EVALUATED PARAMETER	OUTPUT	
Thickness	Inside test	Typical panel thickness	4 mm	
Density	Inside test	Volume Average weight	≈2000 kg/m ³	
		Surface Average weight	≈2 kg/m ² .mm	
Fire Reaction	UNI EN ISO 13501-1:2019	Fire reaction class for coverings	A2-s1,d0	
Hardness	UNI 10782:1999	Average hardness determined with pencil method (harder pencil lead which does not scratch)	H	
Resistance of the surface to abrasion	UNI EN 15185:2011	Hardness class accordingly to Cen/ts 16209	C	
Scratch resistance	UNI EN 15186:2012 met. B	Resistance class accordingly to Cen/ts 16209 with 0.9N load	D	
Surface resistance to cold liquid	UNI EN 12720:2009	Visual evaluation of surface anomalies after contact 16/24h:	Distilled water, basic sweat, detergent solution, citric acid, ammonia	No evident signs
			Acetic Acid, Coffee, Ethanol, Acetone	Slight change visible only in reflected light
			Paraffin oil	Light surface sign
		Resistance rate accordingly to Cen/ts16209	C	
Surface resistance to chemical agents	UNI EN 13442:2013	Visual evaluation, in diffused and direct light, of surface anomalies after contact 16/24h with:	Distilled water, detergent agent, red wine, coffee, tea, ammonia	No evident signs
			Acetone, ethanol, cow milk,	Slight halo or barely visible mark
			Red wine vinegar	slight sign visible from several directions
			Olive oil, black ink	visible sign



REV	DATE	DRAWER	DESCRIPTION	NOTICE
CIMENTO® Via J.F.Kennedy, 107 30027 San Donà di Piave VENEZIA - ITALY T. +39 0421 65422 F. +39 0421 308084 info@cimento.tech www.cimentocollection.com			DESCRIPTION: FORMELLA TONDO-CIMENTO-CIMENTO - VEDI TABELLA FINITURE-DIM.200x200x20H	
GENERAL TOLERANCE UNI EN 22768 m MAX LINEAR DEVIATION mm 0.5-3 ±0.1 3-6 ±0.1 6-30 ±0.2 30-120 ±0.3 120-400 ±0.5 400-1000 ±0.8 1000-2000 ±1.2			DATE: 20/02/2023	APPROVED: _____ WEIGHT: N/A AREA mq: _____
MATERIAL: CIMENTO			FINISHING: CIMENTO - VEDI TABELLA FINITURE	
SCALE: 1 : 2			N°TAV. 1	FORM. TAV. A3
REPRODUCTION OR PUBLICATION OF THIS DOCUMENT, IN WHOLE OR IN PART, SHALL BE SUBJECT TO PRIOR AUTHORIZATION BY SAI Industry srl (Art. 2578 of Law no. 633 dated 22/04/41 of the C.C.).			DRAWER: MN	REFERENCE: _____ CODE: CTNFO01-V00



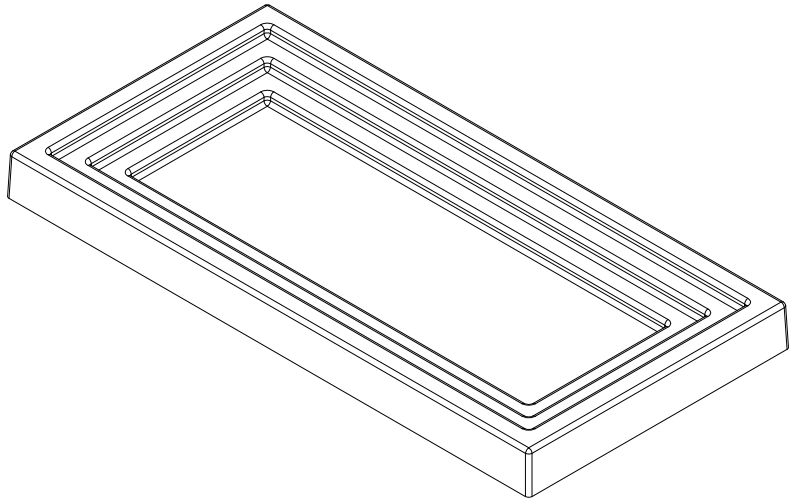
REV	DATE	DRAWER	DESCRIPTION	NOTICE
<p>CIMENTO® Via J.F. Kennedy, 107 30027 San Donà di Piave VENEZIA - ITALY T. +39 0421 65422 F. +39 0421 308084 info@cimento.tech www.cimentocollection.com</p>				
<p>DESCRIPTION: FORMELLA CANTON-CIMENTO-CIMENTO - VEDI TABELLA-DIM.200x200x20H</p>			<p>MATERIAL: CIMENTO</p>	
<p>FINISHING: CIMENTO - VEDI TABELLA</p>			<p>WEIGHT: N/A</p>	
<p>GENERAL TOLERANCE UNI EN 22768 m MAX LINEAR DEVIATION mm</p>			<p>DATE: 20/02/2023</p>	
<p>0.5-3 ± 0.1 3-6 ± 0.1 6-30 ± 0.2 30-120 ± 0.3 120-400 ± 0.5 400-1000 ± 0.8 1000-2000 ± 1.2</p>			<p>APPROVED: [Signature]</p>	
<p>SCALE: 1:2</p>			<p>WEIGHT: N/A</p>	
<p>DRAWER: MN</p>			<p>REFERENCE: [Symbol]</p>	
<p>Reproduction or publication of this document, in whole or in part, shall be subject to prior authorization by SAI Industry srl (Art. 2578 of Law no. 633 dated 22/04/41 of the C.C.).</p>			<p>CODE: CCNFO01-V00</p>	



A-A (1 : 2)



B



REV	DATE	DRAWER	DESCRIPTION	NOTICE
			FORMELLA QUERINI-CIMENTO-CIMENTO - VEDI TABELLA-DIM.200x400x30H	
<small>Via J.F. Kennedy, 107 30027 San Donà di Piave VENEZIA - ITALY T: +39 0421 65422 F: +39 0421 308084 info@cimento.tech www.cimentocollection.com</small>			<small>MATERIAL: CIMENTO FINISHING: CIMENTO - VEDI TABELLA</small>	
<small>GENERAL TOLERANCE UNI EN 22768 m MAX LINEAR DEVIATION mm</small>			<small>DATE: 20/02/2023 APPROVED: WEIGHT: N/A AREA mq:</small>	
<small>0.5-3 ±0.1 3-6 ±0.1 6-30 ±0.2 30-120 ±0.3 120-400 ±0.5 400-1000 ±0.8 1000-2000 ±1.2</small>			<small>SCALE: 1:2 N°TAV. 1 FORM. TAV. A2 REFERENCE:</small>	
<small>Reproduction or publication of this document, in whole or in part, shall be subject to prior authorization by SAI Industry srl (Art. 2578 of Law no. 633 dated 22/04/41 of the C.C.).</small>			<small>DRAWER: MN</small> <small>CODE: CQUFO01-V00</small>	

CONTACTS

HEADQUARTER/SHOWROOM
Via J.F. Kennedy, 107/a - 30027 San
Donà di Piave - VE - ITALY

SHOWROOMS

IT
Via Borgogna, 7 - 20122
Milano - ITALY
showroom@cimento.tech
Tel. +39 02 82772692

CH
Piazza Santa Lucia, 7 - 6900
Massagno LUGANO-SWITZERLAND

UK
The Cube Building | 17-21 Wenlock
Road - N1 7GT
LONDON - UNITED KINGDOM

info@cimento.tech



www.cimento.tech

Tutte le informazioni contenute in questa brochure sono soggette a cambiamenti. Tutti i diritti sono riservati. Nessuna parte di questa brochure può essere riprodotta senza il nostro permesso scritto.

All the information on this brochure are subject to changes. All rights reserved. Reproduction in whole or in part of the contents of this brochure is prohibited without our written consent.

Aug2024

©CIMENTO®



www.cimento.tech

Rev:23/07/2024