

**CIMENTO®**



**CIMENTO® FORMELLE CALLE**

Product data sheet

design by  
Patricia Urquiola

## Description

**CIMENTO® FORMELLE** are a product from the **CIMENTO®** range designed to allow the cladding of pre-existing structures. The tiles are made of a cement agglomerate. **CIMENTO® FORMELLE** is a non-combustible product.

Intended use

**CIMENTO® FORMELLE** are intended for covering indoor and outdoor vertical surfaces. In order to preserve the aesthetic and functional conditions of the **CIMENTO®** surface for as long as possible, we recommend referring to the methods and precautions for use indicated in the installation and maintenance manual for **CIMENTO® FORMELLE**.

## Note

The installation must be carried out by specialized personnel, anchoring the tiles to the underlying structure using specific adhesives and following the instructions specifically indicated in the respective technical data sheets.

For detailed information regarding installation, design and maintenance, please refer to the appropriate manuals. Also contact the **CIMENTO®** sales office.

## Cleaning and Maintenance

Do not use chemicals, abrasive cleaners, solvents and polishing products. The **CIMENTO®** surface is treated with a protective system that prevents the penetration of dirt, whether dry, humid or greasy, and facilitates cleaning operations.

The characteristic co-presence of smooth and porous parts requires some simple precautions during ordinary cleaning. It is important to prevent dirt and deposits from moving and accumulating in the porous portions, especially in the case of humid or greasy substances.

For ordinary maintenance we recommend the following operations, to be carried out in order:

1. First remove all dry deposits with a vacuum cleaner or a soft bristle brush, removing dust and solid residues from both the smooth and porous areas of the surface.
2. Rub the surface with a microfibre cloth moistened with a solution of water and neutral detergent, then dry if necessary with another clean, dry microfibre cloth to avoid leaving streaks.

If the surface comes into contact with staining substances, act promptly on the affected area with a cloth moistened with ammonia solutions or similar products (avoiding degreasers that require abundant rinsing) then dry with a clean, dry cloth. Do not use aggressive acid-based, solvent-based or abrasive agents.

**Any variations compared to the sample are not to be considered defects but rather as a natural characteristic of the product. Therefore Sai Industry srl does not assume any responsibility in case of variations; they are not to be considered defects and are not covered by warranty, particularly for products purchased at different times.**

## Storage

Protect the edges and corners from impacts with special protections to avoid possible chipping. Protect the tile, by storing it in the appropriate packaging, from contact with staining substances, blades and sharp or scratching objects which could damage the **CIMENTO®** finish. Store the tiles on a flat, level and dry surface, ensuring uniform support over the entire surface. It is possible to overlap packages of the same size. Do not place other materials on top of the packaging that could damage the packaging or the tiles.

**Characteristics of CIMENTO® FORMELLE**

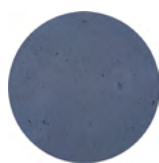
The **CIMENTO® FORMELLE** are available in three different models or, upon customer request, they can be made according to the project specifications.

dimension	average weight piece	thickness max +/- 1mm
CCLFO01	2,3 kg	43 mm
CCLFO02	1,9 kg	43 mm
CCLFO03	1,9 kg	43 mm
CCIFO03	1,6 kg	20 mm

**Available finishes and colors**

The **CIMENTO® FORMELLE** are available in a wide range of standard colors obtained with the use of natural oxide-based pigments, thanks to which high color stability in light is achieved.

## STANDARD COLORS



Avio

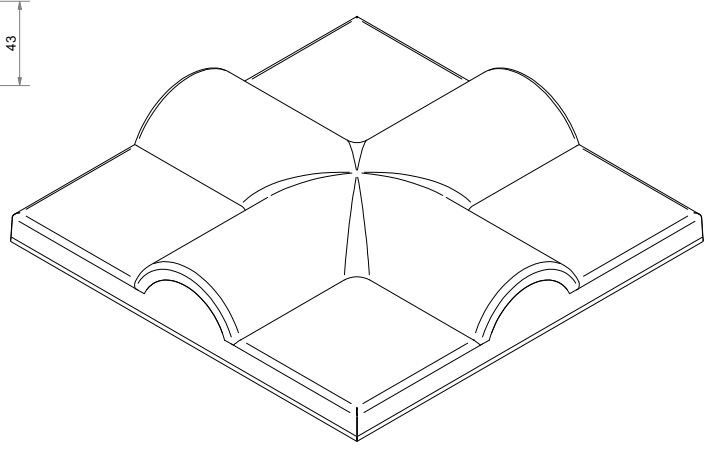
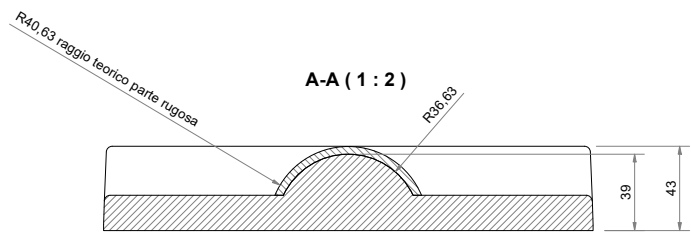
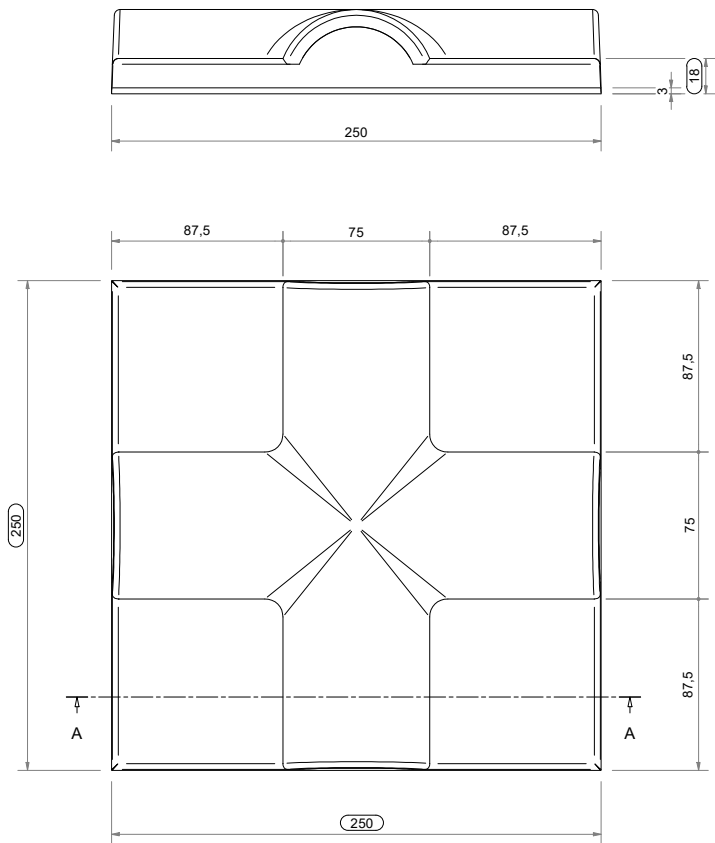


Sabbia

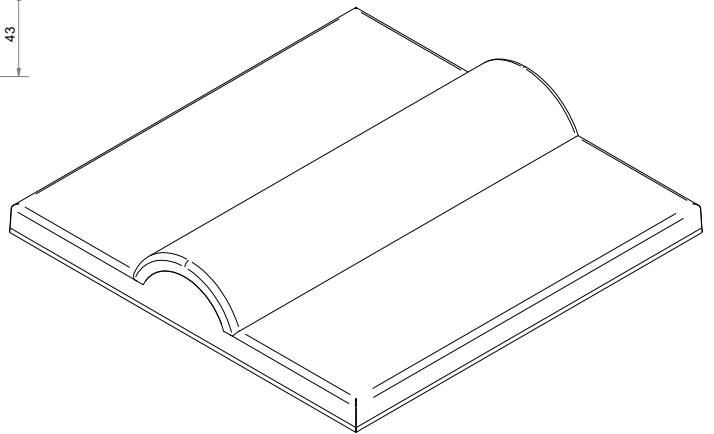
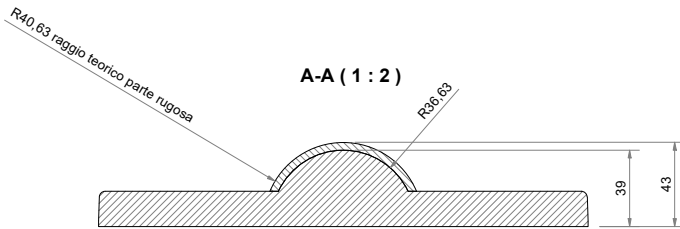
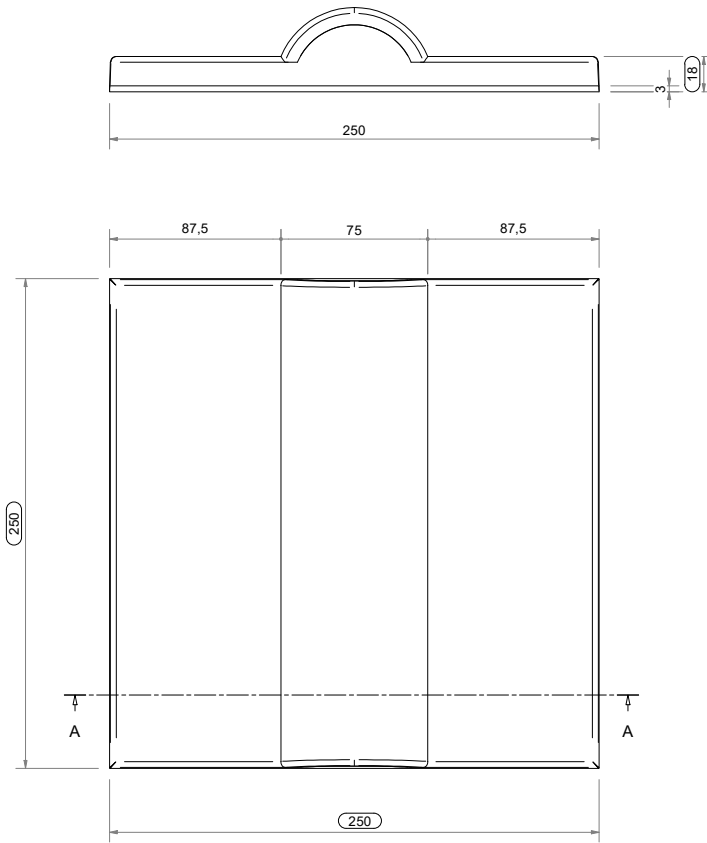


Terracotta

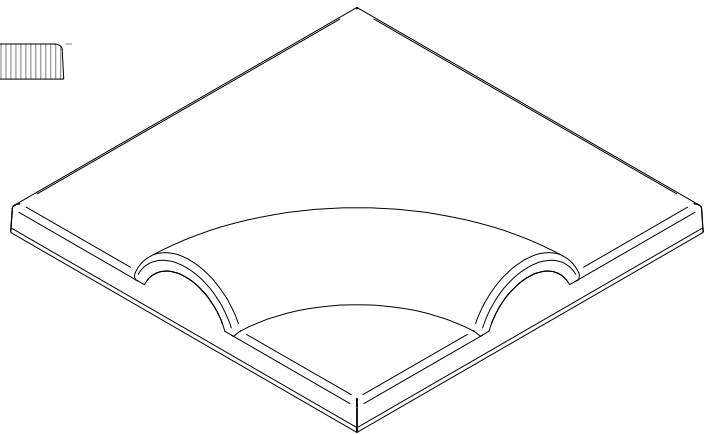
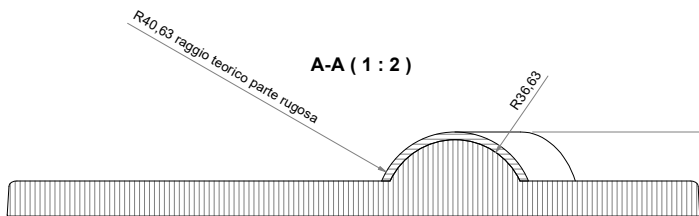
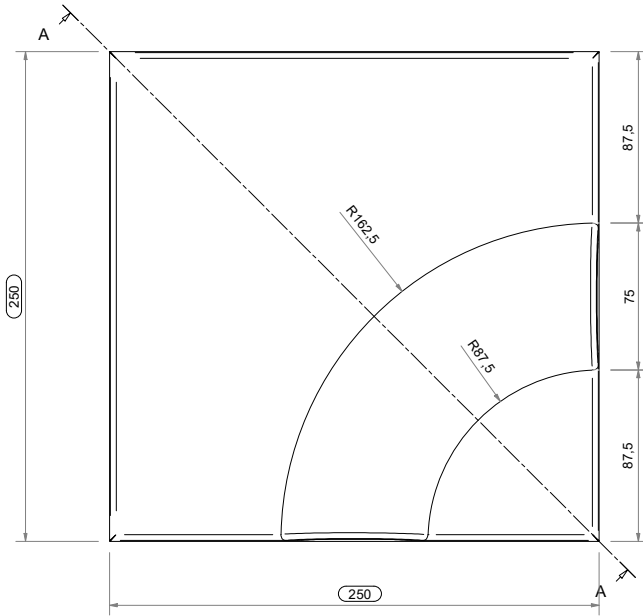
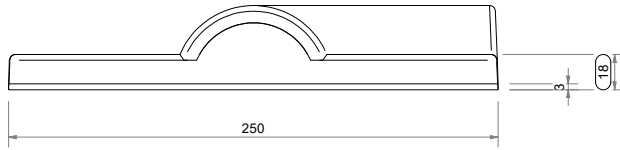
Technical drawing



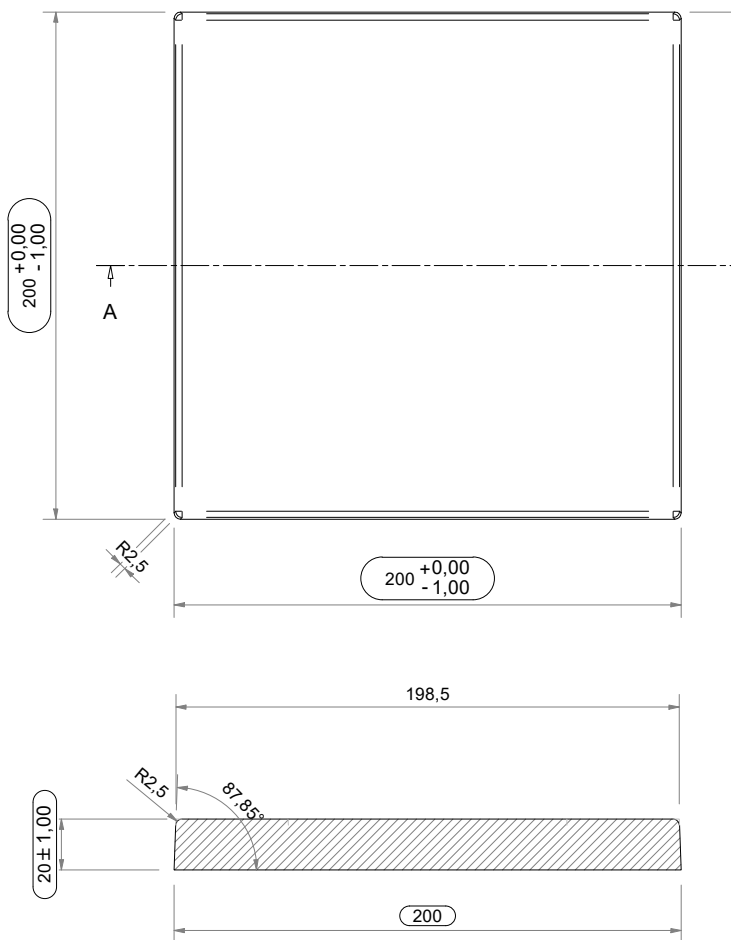
REV	DATE	DRAWER	DESCRIPTION	NOTICE						
			<b>CIMENTO®</b> <small>Via J.F.Kennedy, 107                      30027 San Donà di Piave                      VENEZIA - ITALY                      T. +39 0421 65422                      F. +39 0421 308084                      info@cimento.tech                      www.cimento-collection.com</small>							
DESCRIPTION:			CALLE FORMELLA DISEGNO CROCE-CIMENTO-Liscia - Bianco-DIM.250x250xH							
MATERIAL: CIMENTO			FINISHING: Liscia - Bianco							
GENERAL TOLERANCE UNI EN 22768 m			MAX LINEAR DEVIATION mm	DATE: 02/05/2024						
0.5-3	3-6	6-30	30-120	120-400	400-1000	1000-2000	APPROVED:	WEIGHT:	N/A	AREA mq:
± 0.1	± 0.1	± 0.2	± 0.3	± 0.5	± 0.8	± 1.2	SCALE: 1 : 2	N°TAV. 1	FORM. TAV. A2	REFERENCE:
Reproduction or publication of this document, in whole or in part, shall be subject to prior authorization by SAI Industry srl (Art. 2578 of Law no. 633 dated 22/04/41 of the C.C.).			DRAWER: MN	DRAWING SYMBOLS		CODE: CCLFO01-V00				



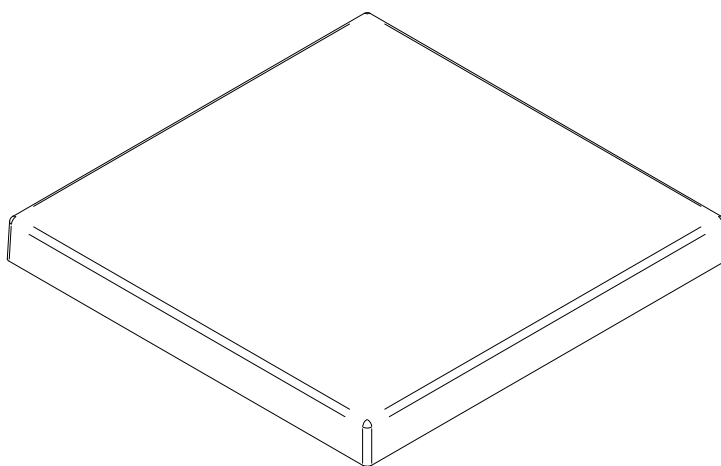
REV	DATE	DRAWER	DESCRIPTION	NOTICE						
			<p><b>CIMENTO®</b></p> <p>Via J.F.Kennedy, 107 30027 San Donà di Piave VENEZIA - ITALY T. +39 0421 65422 F. +39 0421 308084 info@cimento.tech www.cimento-collection.com</p>							
DESCRIPTION:			CALLE FORMELLA DISEGNO LINEA-CIMENTO-Liscia - Bianco-DIM.250x250xH							
MATERIAL: CIMENTO			FINISHING: Liscia - Bianco							
GENERAL TOLERANCE UNI EN 22768 m			MAX LINEAR DEVIATION mm	DATE: 02/05/2024						
0.5-3	3-6	6-30	30-120	120-400	400-1000	1000-2000	APPROVED:	WEIGHT:	N/A	AREA mq:
± 0.1	± 0.1	± 0.2	± 0.3	± 0.5	± 0.8	± 1.2	SCALE: 1 : 2	N°TAV. 1	FORM. TAV. A2	REFERENCE:
Reproduction or publication of this document, in whole or in part, shall be subject to prior authorization by SAI Industry srl (Art. 2578 of Law no. 633 dated 22/04/41 of the C.C.).			DRAWER: MN	DRAWING SYMBOLS		CODE: CCLFO02-V00				



REV	DATE	DRAWER	DESCRIPTION	NOTICE
<b>CIMENTO®</b> <small>Via J.F.Kennedy, 107                      30027 San Donà di Piave                      VENEZIA - ITALY                      T. +39 0421 65422                      F. +39 0421 308084                      info@cimento.tech                      www.cimentocollection.com</small>			DESCRIPTION: <b>CALLE FORMELLA DISEGNO CURVA-CIMENTO-Liscia - Bianco-DIM.250x250xH</b>	
GENERAL TOLERANCE UNI EN 22768 m    MAX LINEAR DEVIATION mm 0.5-3    3-6    6-30    30-120    120-400    400-1000    1000-2000 ±0.1    ±0.1    ±0.2    ±0.3    ±0.5    ±0.8    ±1.2			DATE: <b>02/05/2024</b> SCALE: <b>1 : 2</b> DRAWER: <b>MN</b>	APPROVED: FINISHING: Liscia - Bianco WEIGHT: <b>2,4 kg</b> AREA mq: N°TAV. <b>1</b> FORM. TAV. <b>A2</b> REFERENCE: CODE: <b>CCLFO03-V00</b>
<small>Reproduction or publication of this document, in whole or in part, shall be subject to prior authorization by SAI Industry srl (Art. 2578 of Law no. 633 dated 22/04/41 of the C.C.).</small>				



**A-A ( 1 : 2 )**



REV	DATE	DRAWER	DESCRIPTION	NOTICE					
			<b>CIMENTO®</b>						
			Via J.F. Kennedy, 107 30027 San Donà di Piave VENEZIA - ITALY T. +39 0421 65422 F. +39 0421 308084 info@cimento.tech www.cimentocollection.com						
			<b>FORMELLA LISCIA-CIMENTO-CIMENTO - VEDI TABELLA                      FINITURE-DIM.200x200x20H</b>						
			MATERIAL: CIMENTO	FINISHING: CIMENTO - VEDI TABELLA FINITURE					
GENERAL TOLERANCE UNI EN 22768 m		MAX LINEAR DEVIATION mm		DATE: 09/11/2023					
0.5-3	3-6	6-30	30-120	120-400	400-1000	1000-2000	APPROVED:	WEIGHT: N/A	AREA mq:
±0.1	±0.1	±0.2	±0.3	±0.5	±0.8	±1.2	SCALE: 1:2	N°TAV. 1	FORM. TAV. A3
Reproduction or publication of this document, in whole or in part, shall be subject to prior authorization by SAI Industry srl (Art. 2578 of Law no. 633 dated 22/04/41 of the C.C.)							DRAWER: MN	REFERENCE:	CODE: CCIFO01-V00

## CONTACTS

### HEADQUARTER/SHOWROOM

Via J.F. Kennedy, 107/a - 30027  
San Donà di Piave - VE - IT  
Tel. +39 0421 65422

### SHOWROOMS

#### IT

Via Borgogna, 7 - 20122  
Milano - IT  
showroom@cimento.tech  
Tel. +39 02 82772692

#### CH

Piazza Santa Lucia, 7 - 6900  
Massagno LVGA- CH

#### UK

The Cube Building | 17-21  
Wenlock Road - N1 7GT  
London- UK

[info@cimento.tech](mailto:info@cimento.tech)



[www.cimento.tech](http://www.cimento.tech)

Tutte le informazioni contenute in questa brochure sono soggette a cambiamenti. Tutti i diritti sono riservati. Nessuna parte di questa brochure può essere riprodotta senza il nostro permesso scritto.

All the information on this brochure are subject to changes. All rights reserved. Reproduction in whole or in part of the contents of this brochure is prohibited without our written consent.

Rev. 23lug2024

©CIMENTO®



[www.cimento.tech](http://www.cimento.tech)